

Buxin She¹, Fangxing Li¹, Hantao Cui², Jinning Wang¹, Liang Min³, Oroghene Oboreh-Snapps⁴, Rui Bo⁴
¹ The University of Tennessee, Knoxville ² Oklahoma State University
³ Stanford University ⁴ Missouri University of Sci. & Tech

Introduction

This poster presents a **decentralized** and **coordinated** control framework to regulate the output of inverter-based generations and reallocate limited DER capacity for V-f regulation.

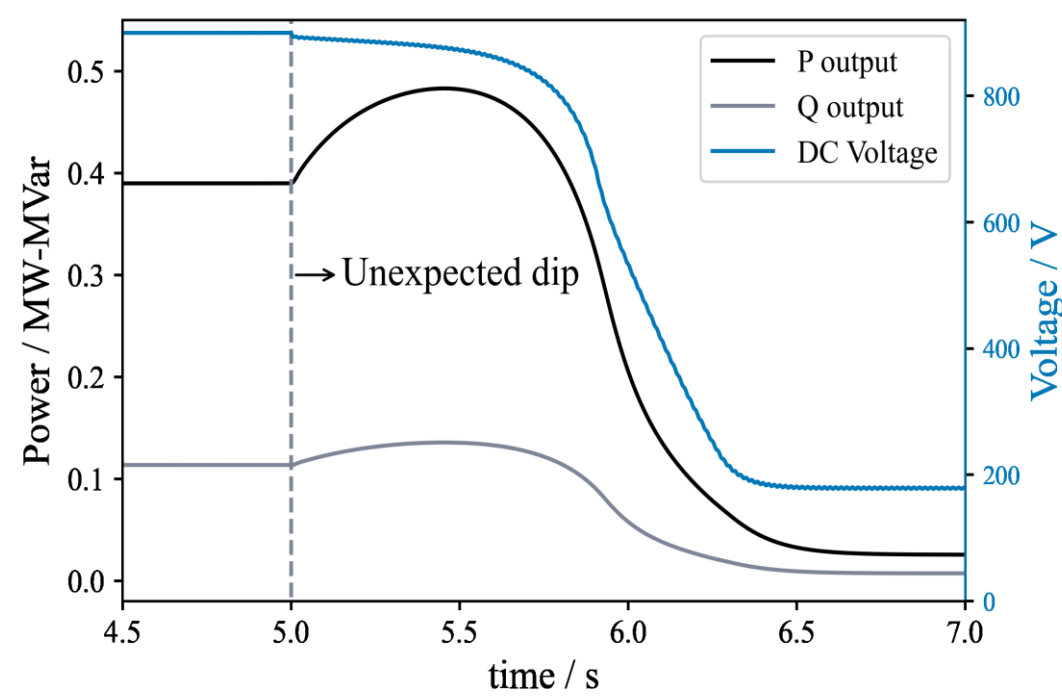


Fig. 1 DC voltage dip due to DER inadequacy

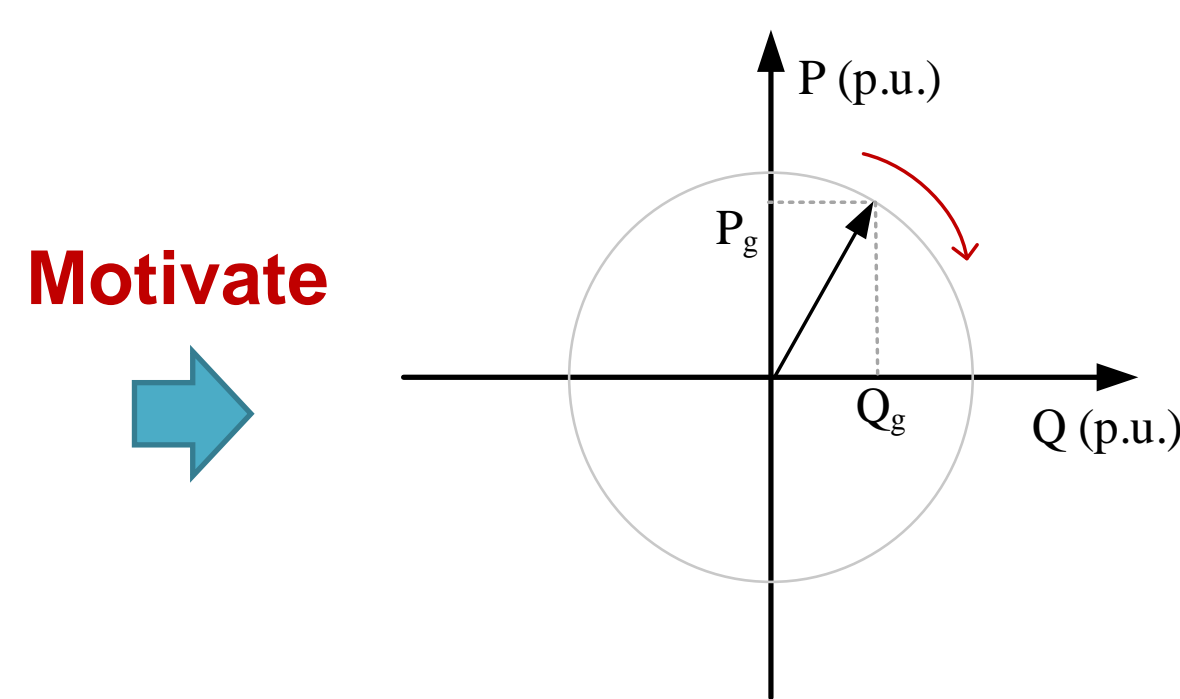


Fig. 2 constrained operation of inverters

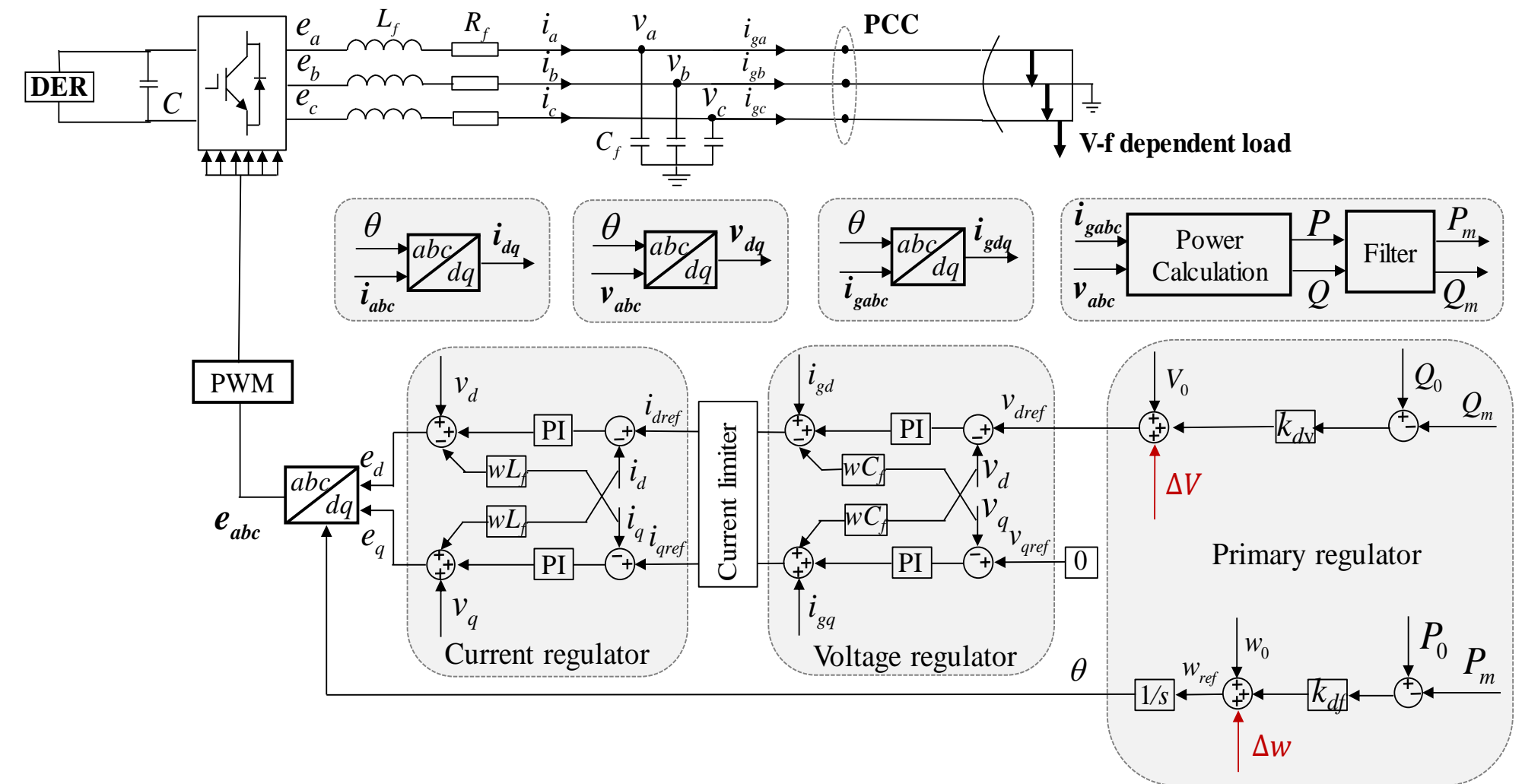


Fig. 3 Diagram of a droop-controlled GFM inverter supplying V-f dependent load

Decentralized and Coordinated control framework

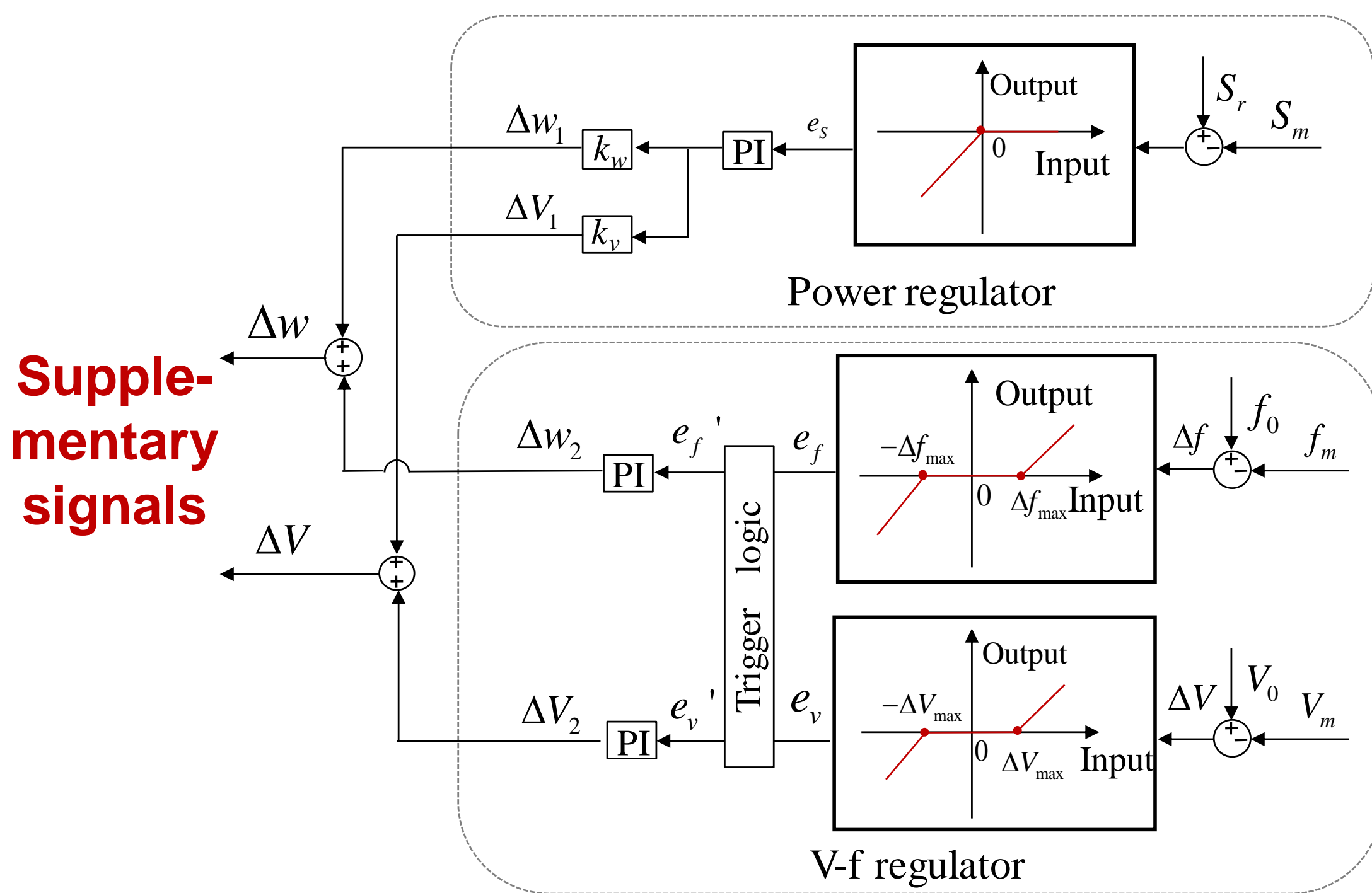


Fig. 4 Diagram of the proposed control framework

- **Power regulator** generates control signals based on the error between inverter output and DER capacity, which help limit the output of grid-forming inverters
- **V-f regulator** generates control signals based on voltage and frequency deviations, which reallocate limited generation for acceptable V-f deviations

Theoretical validation

Droop equation

$$\begin{cases} f = f_{0,i} + k_{df}(P_{inv,i} - P_{inv0,i}) \\ V_i = V_{0,i} + k_{dv}(Q_{inv,i} - Q_{inv0,i}) \end{cases}$$

$$P_{g,i}^2 + Q_{g,i}^2 = S_i^2$$

V-f dependent load

$$\begin{cases} P_{l,i} = P_{l0,i}(p_1 V_i^2 + p_2 V_i + p_3)[1 + K_{pf}(f - f_0)] \\ Q_{l,i} = Q_{l0,i}(q_1 V_i^2 + q_2 V_i + q_3)[1 + K_{pf}(f - f_0)] \end{cases}$$

$$\begin{cases} P_{l0,i}' = P_0 + \Delta P \\ Q_{l0,i}' = Q_0 + \Delta Q \end{cases}$$

Grid power flow

$$\begin{cases} P_i = P_{inv,i} + P_{l,i} = G_{ij} V_i^2 - G_{ij} \sum_{i \neq j} V_i V_j \cos \theta_{ij} - B_{ij} \sum_{i \neq j} V_i V_j \sin \theta_{ij} \\ Q_i = Q_{inv,i} + Q_{l,i} = G_{ij} V_i^2 - G_{ij} \sum_{i \neq j} V_i V_j \sin \theta_{ij} - B_{ij} \sum_{i \neq j} V_i V_j \cos \theta_{ij} \end{cases}$$

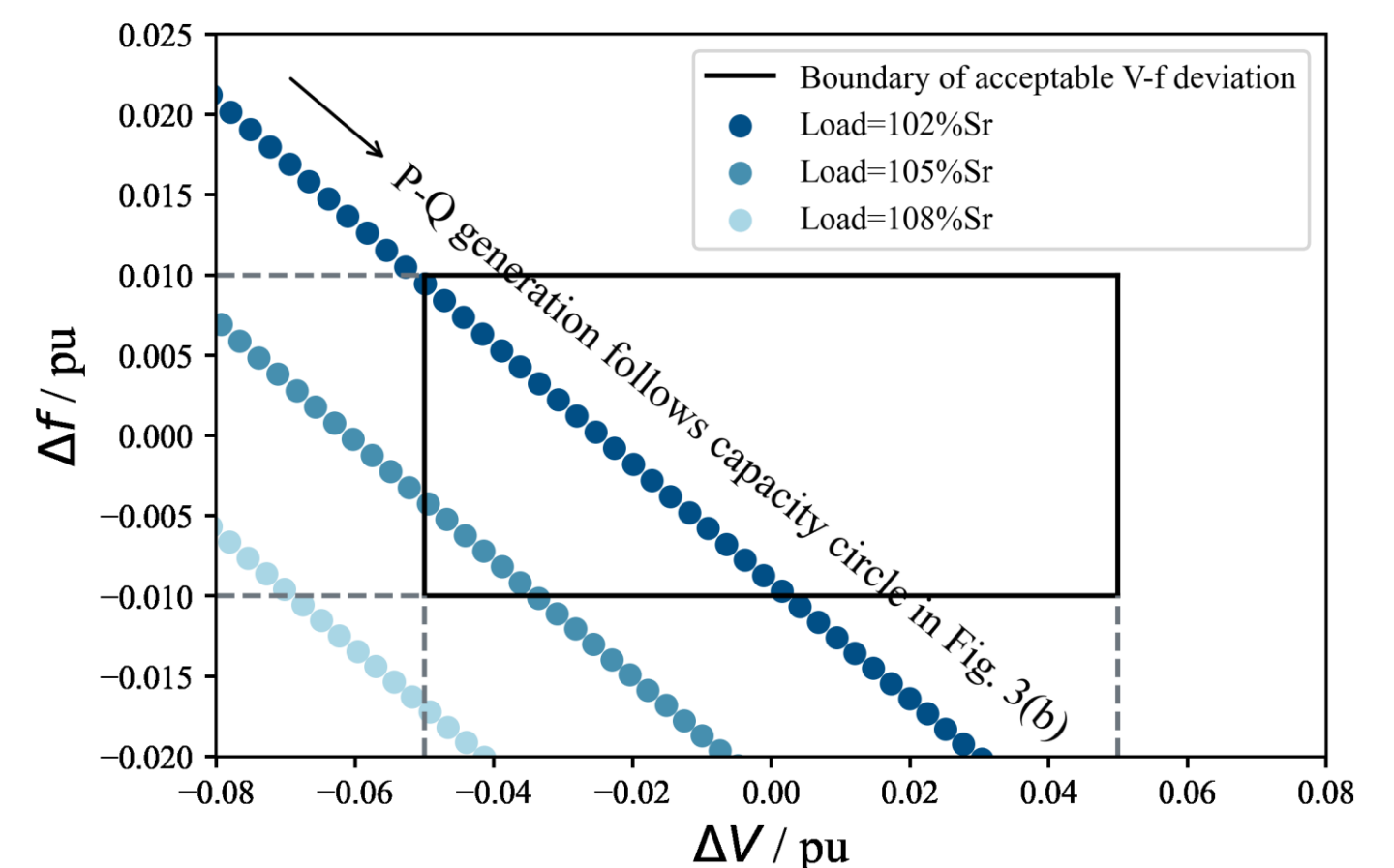


Fig. 5 V-f deviation under bounded generation constraints

Case study

Basic settings

- Before 8 s, G1-G3 are controlled with the conventional droop method represented in Fig. 1.
- At 8 s, load C2 increases.
- At 12 s, the reference capacities of G1-G3 are set as 1.2MVA, 0.6MVA, and 1.2MVA, respectively. The power regulator starts working.
- At 16 s, the V-f regulator starts working.

Conclusions

- The power regulator regulates the output of GFM inverters, while the V-f regulator improves the V-f deviation by leveraging the load response to voltage and frequency.
- Three-level coordination is achieved within the proposed control framework, : 1). Generation and load, 2). V regulation and f regulation, and 3). P generation and Q generation.

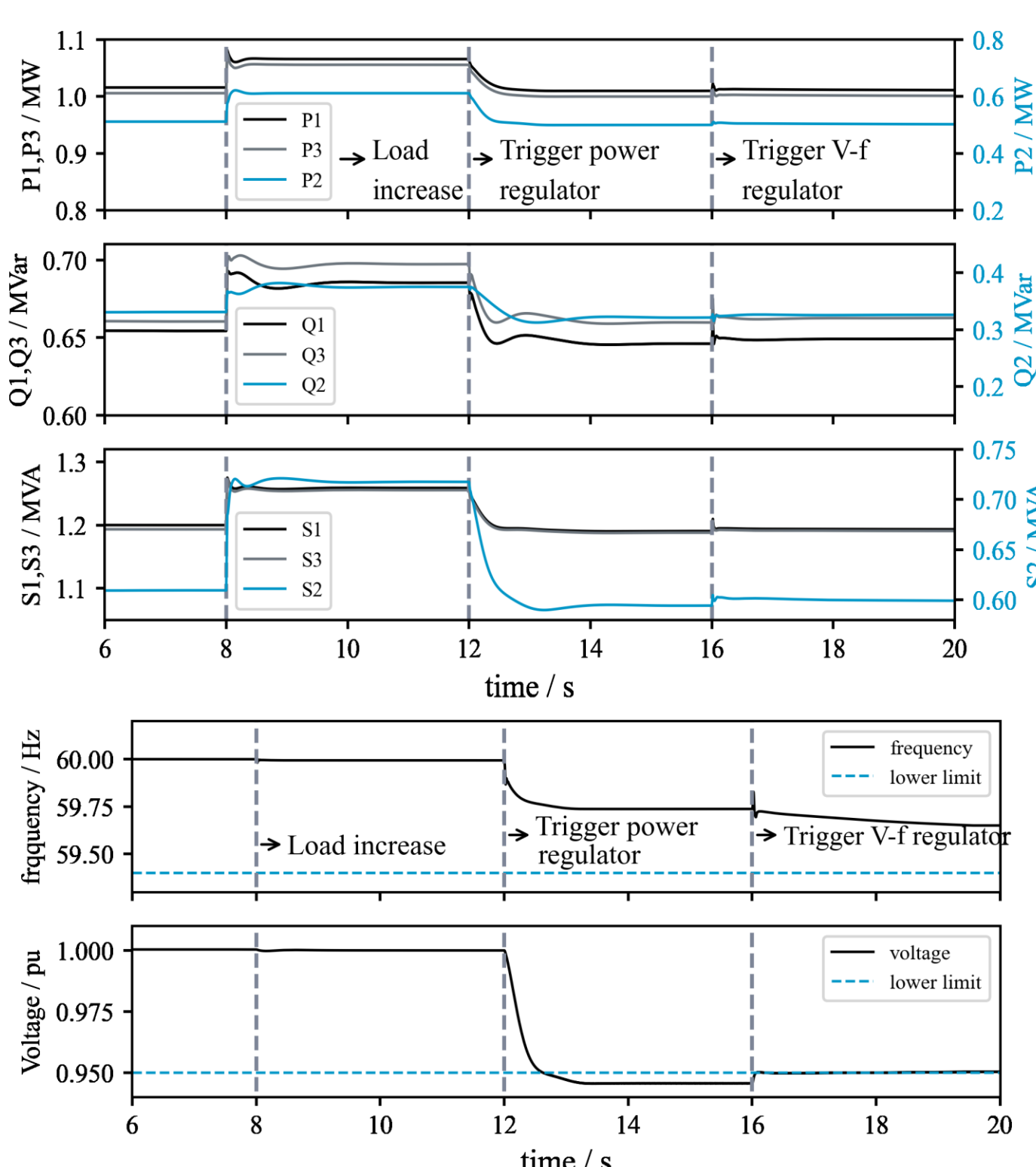


Fig. 6: Scenario 1: Over voltage dip and recovery

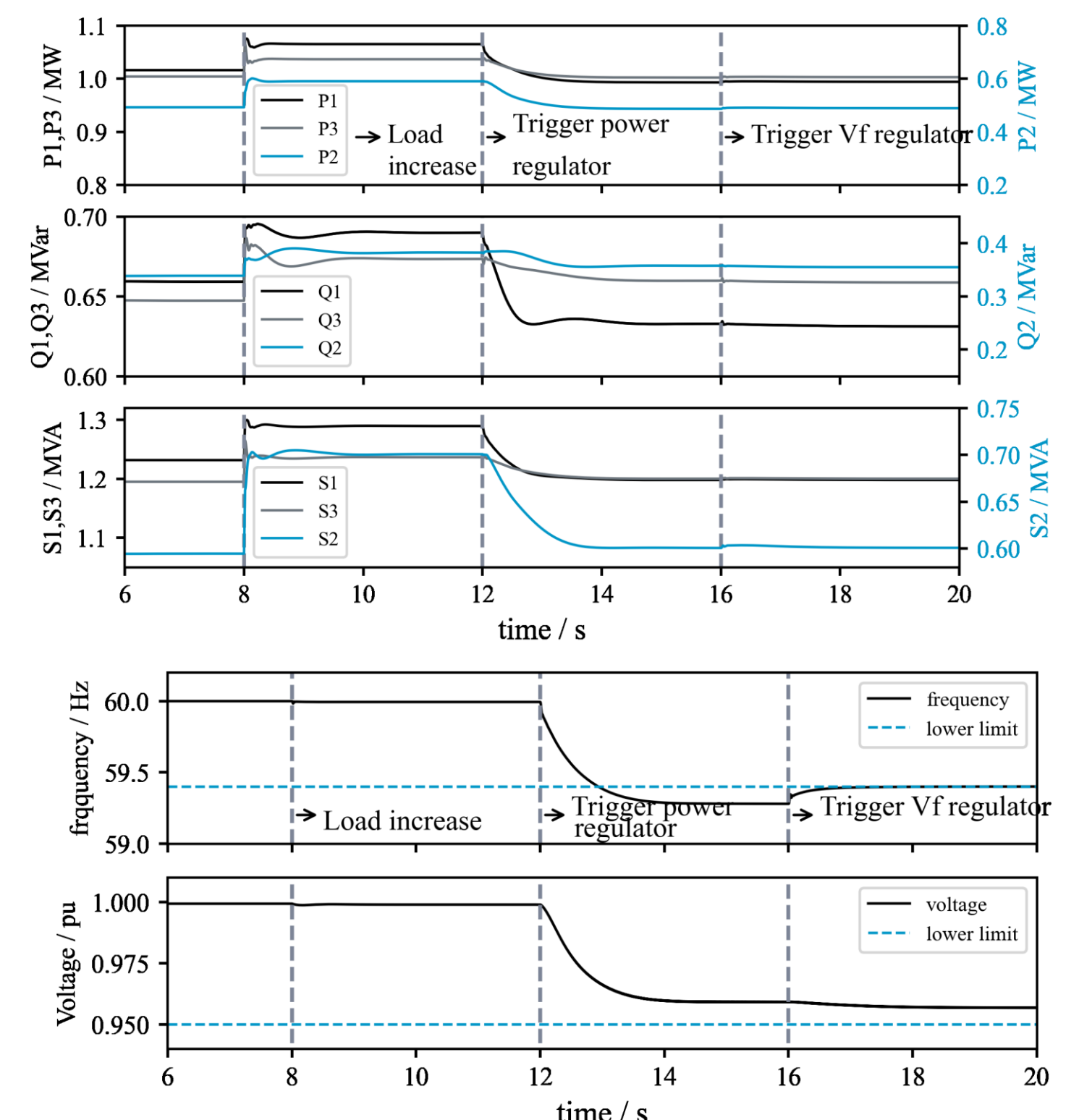


Fig. 7: Scenario 2: Over frequency dip and recovery

